



Xuzhou RITMAN Equipment Co., Ltd. is an intelligent equipment company (Short name "RITMAN Intelligent", English name "RITMAN"). RITMAN with the mission of "intelligent, digital, and trouble-free production", the company is a national high-tech enterprise and National-Level SRDI "Little Giant" Enterprise. Relying on strong R&D and production strength, the company focuses on the sales and service of laser cutting equipment. The main products include: laser plate cutting machine, laser tube cutting machine, large format customized laser cutting machine, laser plate & tube integrated machine, sheet coil laser cutting machine, 3D laser cutting machine, handheld laser welding machine, automated laser welding equipment, robot laser welding machine and other equipment. We are willing to work with our partners for mutual benefit and win-win situation!

徐州瑞马智能技术股份有限公司是一家智能装备企业（简称“瑞马智能”，英文名“RITMAN”）。公司以“工业生产智能化、数字化、无忧化”为使命，是国家级高新技术企业、国家级专精特新“小巨人”企业。公司依托强大的研发生产实力，专注于激光切割设备以及上下游设备的销售与服务，主要产品包括：激光切板机、激光切管机、大幅面定制型激光切割机、激光板管一体机、卷材激光切割机、三维激光切割机、手持激光焊接机、自动化激光焊接设备、机器人激光焊接机等设备。愿与广大合作伙伴互惠互利，共创共赢！



认真 · 开放 · 勇气 · 责任

Seriousness Openness Courage Responsibility



RITMAN Laser has more than 100 R&D engineers. It has a technical R&D team composed of a doctoral team from Dalian University of Technology and a master's team from Southeast University, as well as perfect research laboratory facilities and equipment. RITMAN with strong R&D technical strength, the R&D Technology Center has obtained a total of 64 invention patents, 10 authorizations, 59 utility models, 28 soft publications, and 12 professional papers.

瑞马激光拥有研发技术工程师100余名，同时拥有包括大连理工大学博士生团队和东南大学硕士生团队组成的技术研发团队以及完善的科研实验设施。自公司成立以来，凭借强劲的研发技术实力加持，研发中心累计获得发明专利实审64项、授权10项，实用新型59项、软著28项、发表专业论文12篇。



100+ Technical Team

Ph.D. Specialist Senior Engineer  
博士 专家 高级工程师

200+

Invention patent  
专利

Xuzhou RITMAN Equipment Co.,LTD

☎ 400-006-3106

✉ James@sinatoritman.com

🌐 www.ritman-laser.com

📍 Chuangye Road 35# Xuzhou Economic Development Zone, Jiangsu, China

徐州瑞马智能技术股份有限公司

☎ 0516-83059893

🌐 http://www.ritmanlaser.com

📍 江苏徐州经济开发区创业路35号

3000-6000W

# RM-LC FT Series

Integrated Sheet & Tube Laser Cutting Machine  
板管一体激光切割机

## Integrated Sheet & Tube Laser Cutting Machine

板管一体激光切割机



RM-LC FT			
Model 机型	RM-LC FT3015	RM-LC FT4015	RM-LC FT6025
Power 功率	3000W-6000W	3000W-6000W	3000W-6000W
Processing format 加工幅面	3000mmx1500mm	4000mmx1500mm	6000mmx2500mm
chuck 卡盘	160/240		
Profile size 加工管径大小	□ / ∅ 10mm - □ / ∅ 160mm/240mm		
Positioning accuracy 定位精度	±0.05mm		
Repetitive positioning accuracy 重复定位精度	±0.03mm		
Maximum movement speed of XY axis XY轴的最大移动速度	30m/min		
Acceleration 加速度	0.5G		

## Product Advantages

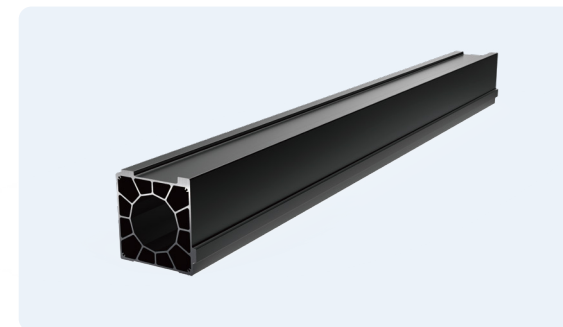
产品优势



### High Strength Mortise And Tenon Welded Bed Body

#### 高强度卯榫焊接床身

The track is welded with H-shaped steel and steel plates. Standard unit sections: 8m and 6m beams, with unit section lengths selected according to customer requirements.  
轨道采用H型钢+钢板焊接。标准单元节：8m和6m梁总，根据客户需求选配单元节长度。



### Steel Crossbeam

#### 钢制横梁

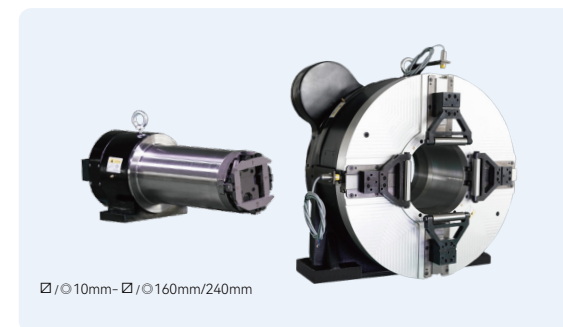
Steel crossbeams are made by splicing and welding steel plates. Steel crossbeams have high rigidity, and their accuracy can be stable for a long time. More suitable for large-span ground rail laser cutting machines.  
钢制横梁，由钢板插接拼焊而成，钢制横梁具有较高的刚性，横梁的精度能够长期稳定。更适用于大跨距的地轨式激光切割机。



### Precision Module Transmission

#### 精密模组

The integrated Z-axis main body is welded with aluminum alloy plate, matched with precision screw module transmission, with high accuracy and fast speed.  
采用铝合金板焊一体式Z轴主体，搭配精密丝杠模组传动，精度高，速度快。



### Versatile Pneumatic Chuck

#### 多功能气动卡盘

Seamlessly transition between cutting requirements of various material and shapes without interruption.  
在各种材料和形状的切割要求之间无缝过渡，不间断

## CUTTING SAMPLES

切割样品



## APPLICATION FIELDS

应用领域

